

# Industrial Gas Springs Ltd

22 Wates Way, Mitcham, Surrey CR4 4HR

Tel: 020 8646 6595 - Fax: 020 8646 6594

Email: sales@igsLtd.co.uk

www.industrialgassprings.com

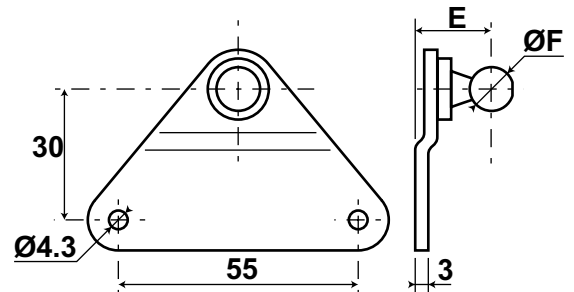


Industrial Gas Springs

## Mounting Brackets - Standard sizes

### STYLE A

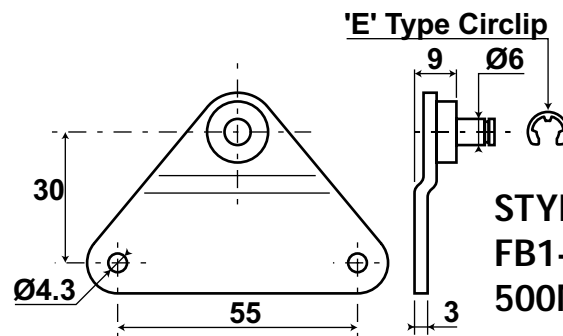
Code	Dist E	Diam F	Max. Load (N)	Suitable for:
FA1-8	16	8	500	Size 6 Customline Nylon Ball Joint (F06-B) Size 6 Customline Metal Ball Joint (F06-MB) Size 6 Euroline Metal Ball Joint (F05-MB-D8)
FA2-10	17	10	800	Size 8 Customline Nylon Ball Joint (F08-B) Size 8 Euroline Metal Ball Joint (F06-MB-D10) Volumeline Nylon Ball Joint (F06-VB6) Volumeline Nylon Ball Joint (F06-VB8) Volumeline Nylon Ball Socket (F06-VBS-D10)
FA3-13	18	13	1200	Size 8 Customline Metal Ball Joint (F08-MB) Size 10 Customline Metal Ball Joint (F10-MB) Size 10 Euroline Metal Ball Joint (F08-MB)



### STYLE A

From 500N to 1200N Maxi.

Code	Max. Load (N)	Suitable for:
FB1-6	500	Size 6 Customline Nylon Eye (F06-E) Size 6 Customline Metal Eye (F06-ME) Size 6 Euroline Metal Eye (F05-ME) Volumeline 6mm Metal Eye (F06-6ME)

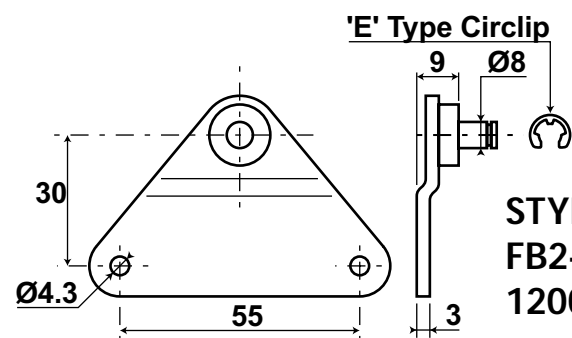


### STYLE B1

FB1-6

500N Maxi.

Code	Max. Load (N)	Suitable for:
FB2-8	1200	Size 8 Customline Nylon Eye (F08-E)
FC-8	1800	Size 8 Customline Metal Eye (F08-ME)
FD-8	1200	Size 10 Customline Metal Eye (F10-ME) Size 14 Customline Metal Eye (F14-ME) Size 8 Euroline Metal Eye (F06-EME) Volumeline 8mm Metal Eye (F06-8ME)



### STYLE B2

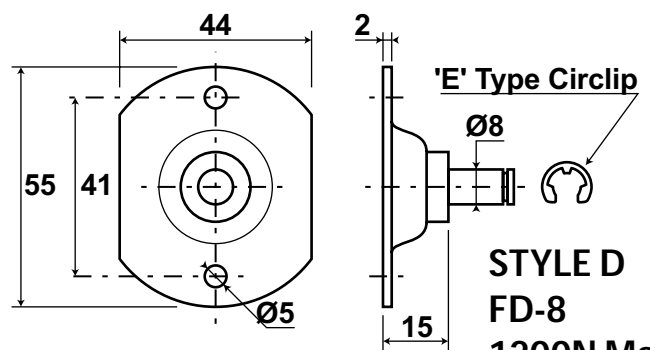
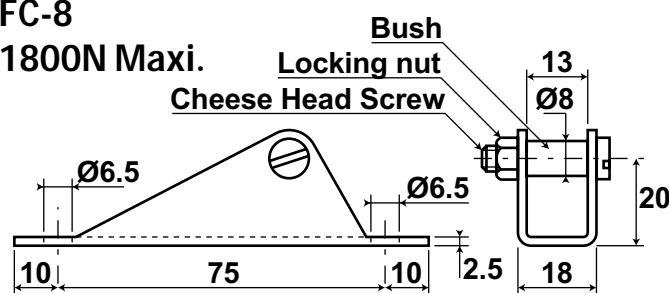
FB2-8

1200N Maxi.

### STYLE C

FC-8

1800N Maxi.



### STYLE D

FD-8

1200N Maxi.

# Industrial Gas Springs Ltd

22 Wates Way, Mitcham, Surrey CR4 4HR

Tel: 020 8646 6595 - Fax: 020 8646 6594

Email: sales@igs Ltd.co.uk

www.industrialgassprings.com

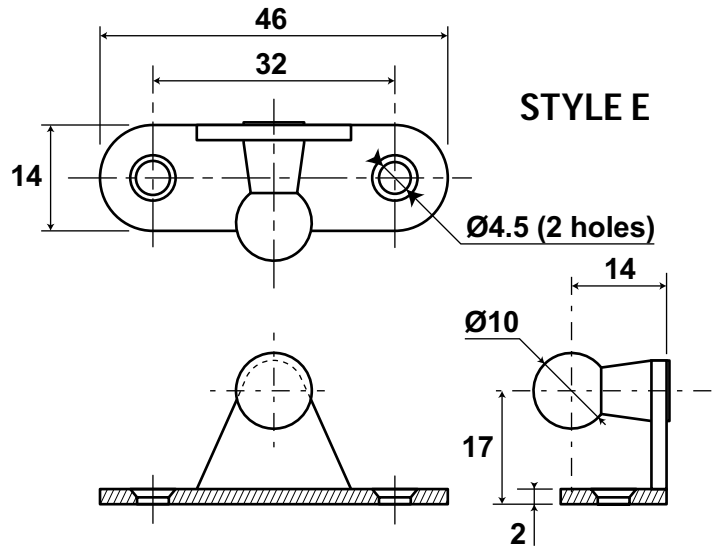


Industrial Gas Springs

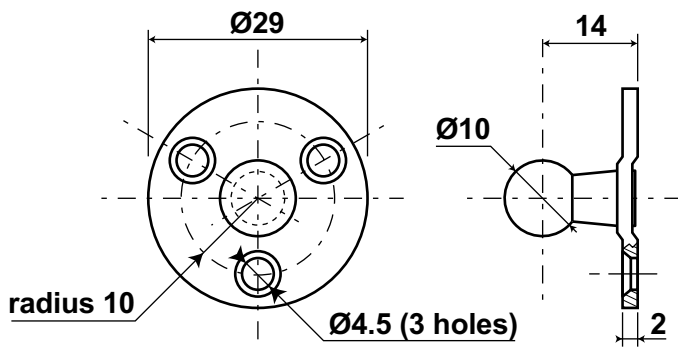
## Mounting Brackets - Light use

### STYLE E

Code	Max. Load (N)	Suitable for:
FE1-10L	100	Size 8 Customline Nylon Ball Joint (F08-B) Size 8 Euroline Metal Ball Joint (F06-MB-D10) Volumeline Nylon Ball Joint (F06-VB6) Volumeline Nylon Ball Joint (F06-VB8) Volumeline Nylon Ball Socket (F06-VBS-D10)



### STYLE F

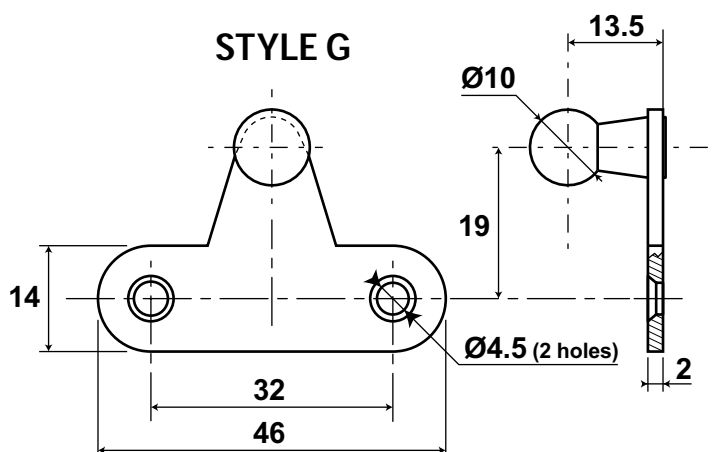


### STYLE F

Code	Max. Load (N)	Suitable for:
FF1-10L	100	Size 8 Customline Nylon Ball Joint (F08-B) Size 8 Euroline Metal Ball Joint (F06-MB-D10) Volumeline Nylon Ball Joint (F06-VB6) Volumeline Nylon Ball Joint (F06-VB8) Volumeline Nylon Ball Socket (F06-VBS-D10)

### STYLE G

Code	Max. Load (N)	Suitable for:
FG1-10L	100	Size 8 Customline Nylon Ball Joint (F08-B) Size 8 Euroline Metal Ball Joint (F06-MB-D10) Volumeline Nylon Ball Joint (F06-VB6) Volumeline Nylon Ball Joint (F06-VB8) Volumeline Nylon Ball Socket (F06-VBS-D10)



# Industrial Gas Springs Ltd

22 Wates Way, Mitcham, Surrey CR4 4HR

Tel: 020 8646 6595 - Fax: 020 8646 6594

Email: sales@igs Ltd.co.uk

www.industrialgassprings.com



Industrial Gas Springs

## Mounting Bracket - Stainless steel

### Stainless steel 304 (V2A)

Code	Max. Load (N)	Suitable for:
FXH-8	1800	Size 8 Nylon Eye (E) Size 8, 10 and 14 Metal Eye (XME)

Also exists in zinc plated steel (Part Number: FH-8)

